



# **JDGA**

**GPS antennas for demanding requirements**

## **JDGA Ceramic Patch SMT GPS Antenna** **25 X 25 X 4mm** **Available Frequencies 1576MHz to 1598MHz**



Center Frequency	1580MHz $\pm$ 3.0MHz (70 X 70 grond plane)
Bandwidth	9.0MHz (min)
Return Loss	$\leq$ -10dB
Gain @ zenith	5.0dB (typ)
Gain @ 10° elevation	-1.0dB (typ)
Polarization	RHCP
Impedance	50 ohm
Frequency Temperature Coefficient	0 $\pm$ 20ppm/C° (-40°C to 85°C)
Dielectric Constant <b>K</b>	20 $\pm$ 0.50
Quality Factor, <b>Q</b> (=1/tan)	$\geq$ 5000@9GHz
Temperature Coefficient of Resonant Frequency	0 $\pm$ 20ppm/C° (-40°C to 85°C)

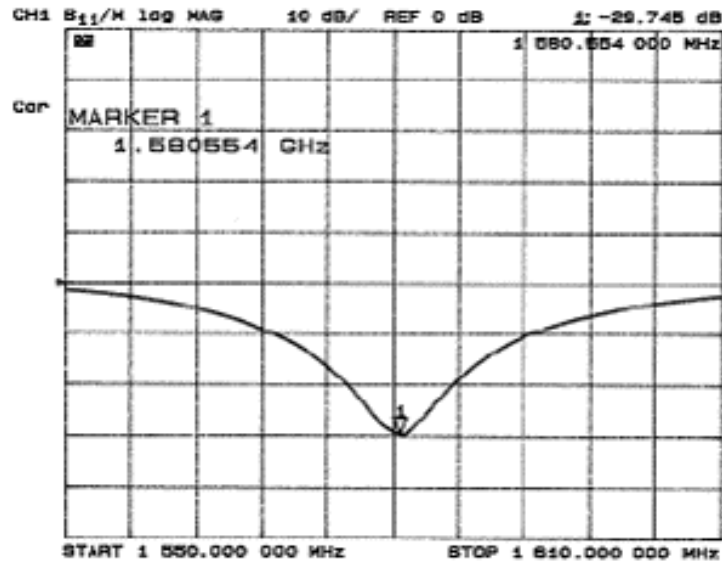




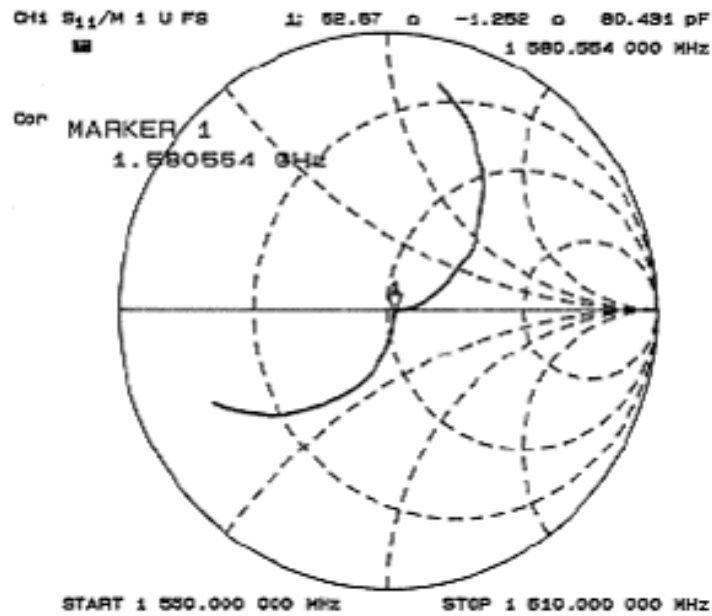
# JDGA

GPS antennas for demanding requirements

## Reflection Coefficient



## Smith

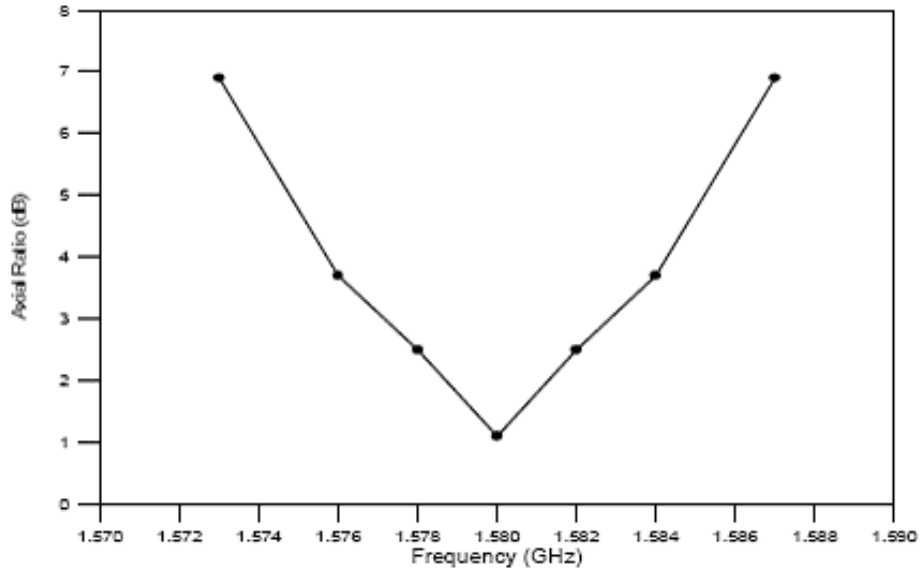




# JDGA

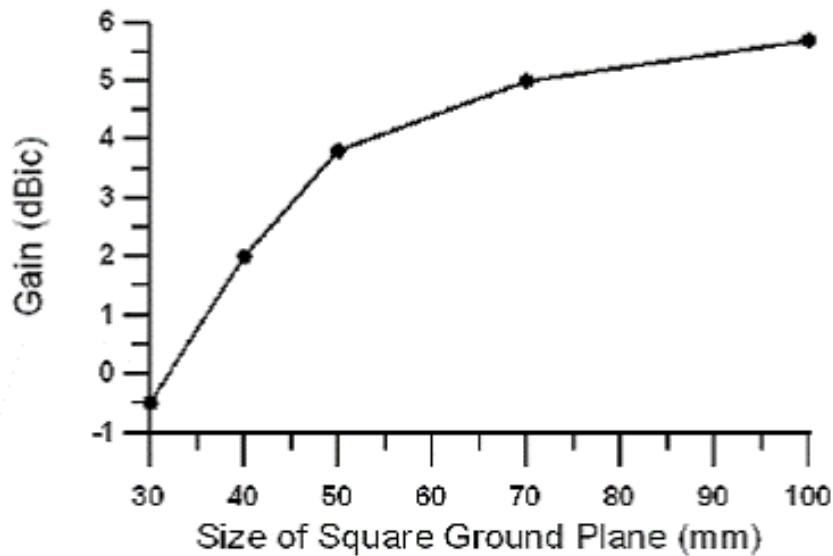
GPS antennas for demanding requirements

## Axial Ratio



with 70 mm square ground plane

## Antenna Gain vs Ground Plane Size

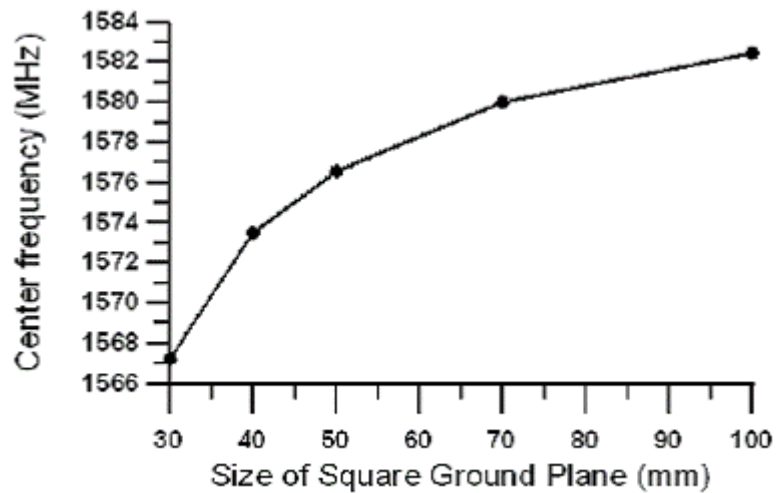




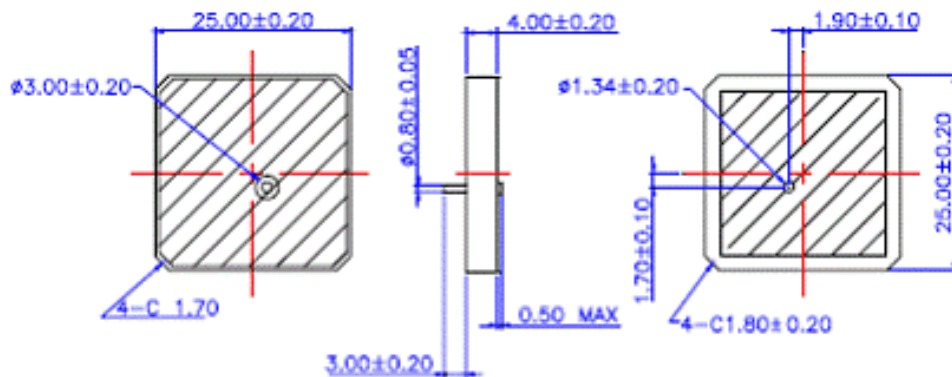
# JDGA

*GPS antennas for demanding requirements*

## Center Frequency vs Ground Plane Size



## Mechanical Dimensions



Unit : mm



**JDGA**

***GPS antennas for demanding requirements***

<b>PART NUMBERS</b>	<b>FREQUENCY MHZ</b>
G250476P	1576
G250478P	1578
G250480P	1580
G250482P	1582
G250484P	1584
G250486P	1586
G250488P	1588
G250490P	1590
G250492P	1592
G250494P	1594
G250496P	1596
G250498P	1598